

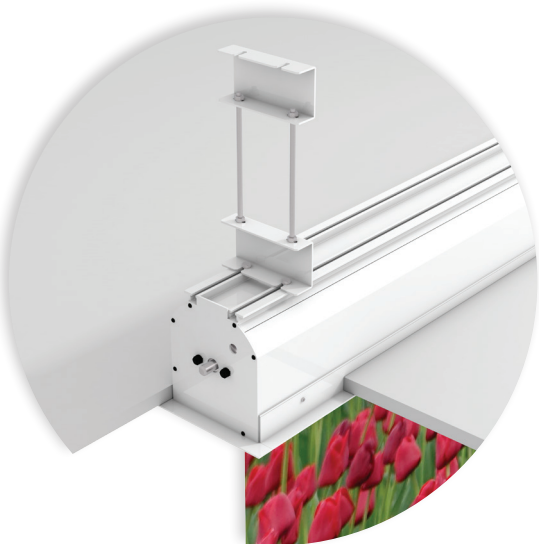
# FALSE CEILING TRIM KIT

## MAJOR PRO-C

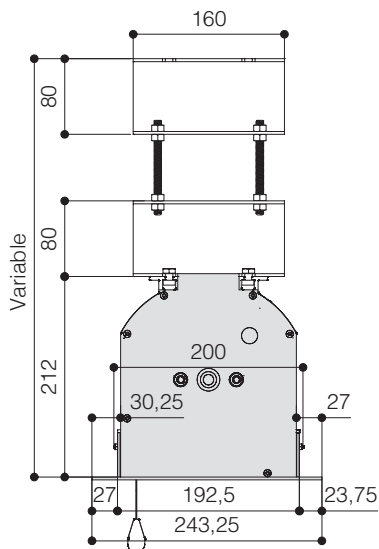
The **FALSE CEILING TRIM KIT** for **MAJOR PRO-C** screens is an accessory that enables to hide the large cabinet of a Major Pro-C inside a false ceiling.  
 This kit is made of aluminium entirely powder coated in white colour (RAL 9010).  
**IMPORTANT:** The TRIM KIT has to be ordered together with the Major Pro-C (cannot be retrofitted).



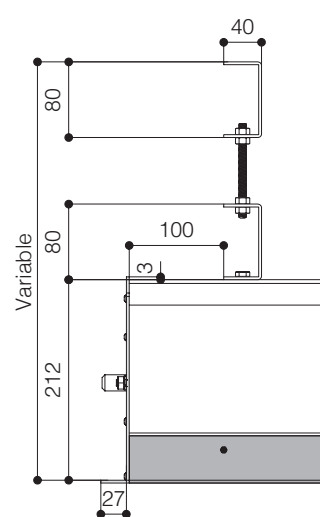
### FALSE CEILING TRIM KIT FOR MAJOR PRO-C



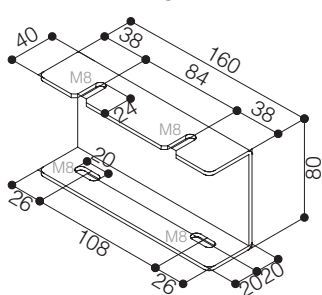
**Left Side View**



**Left Front View**

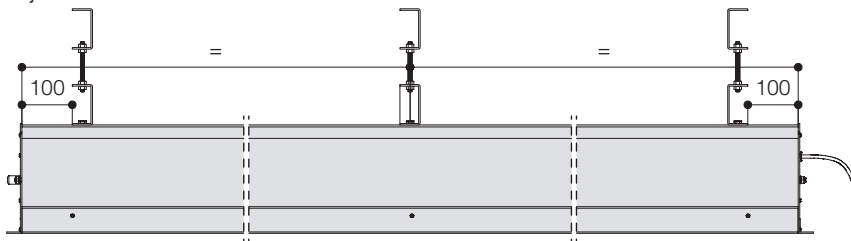


### CEILING MOUNTING BRACKET



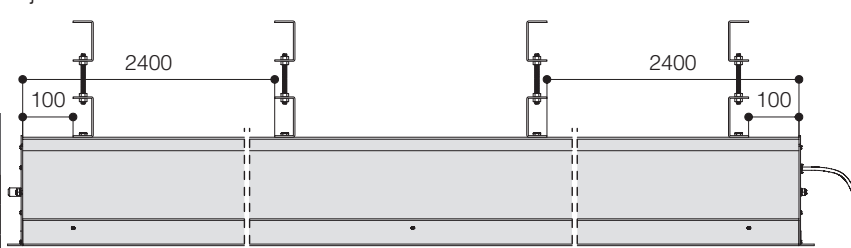
### Mounting distances of brackets

Major Pro-C 500 - 600 cm. of width



### Mounting distances of brackets

Major Pro-C 700 cm. of width



The measures in the drawings are expressed in millimetres.

Width of the hole to be made in the false ceiling: **22 cm.**

### LENGHT OF HOLE IN FALSE CEILING

Major Pro-C without borders	Width of viewing area + 22 cm
Major Pro-C with borders	Width of viewing area + 32 cm
Major Pro-C Tensioned	Width of viewing area + 72 cm

Warranty: 24 months

[www.screenint.com](http://www.screenint.com)

