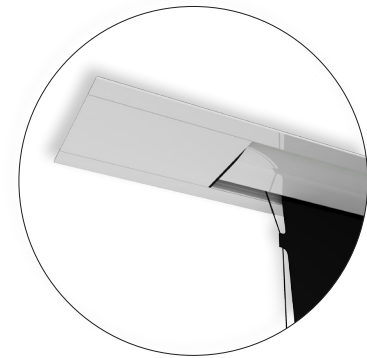
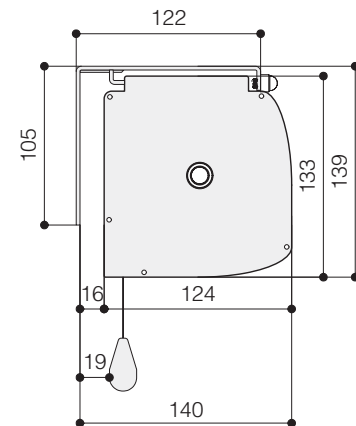


from 300 cm. to 400 cm. wide



**False ceiling trim kit**  
(optional - for details see p. 48)

### HOUSING DIMENSIONS

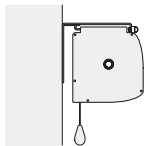


### TECHNICAL SPECIFICATIONS

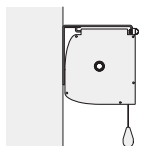
- Silent motor system provides a smooth and quiet operation
  - Power: **10 Nm**
  - Speed: **17 rpm**
  - Power supply: **230V / 50 Hz**
  - Consumption: **156 W**
  - Certification: **IMQ**
- Totally manufactured from aluminium
- Housing dimensions: 124x133 mm. (DxH)
- Housing painted with white epoxy powders (RAL 9010)
- Power cable located at the **right** side of the screen housing seen from the front
- Flame-retardant projection surfaces – classification M1, M2 and B1
- Black side borders of 5 cm. (in the narrowest point), black bottom border of 5 cm., black top drop of 30 cm. and black dowel bar: height 35 mm. depth 20 mm.
- Hour-shape glass tensioning system to provide perfect flatness

Nm 9  
Rpm 26  
Faster and quiet motor (optional)

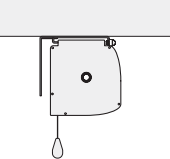
### WALL MOUNTING



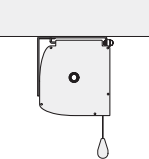
### FRONT FALL



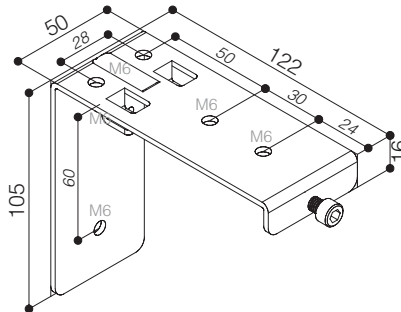
### CEILING MOUNTING



### FRONT FALL

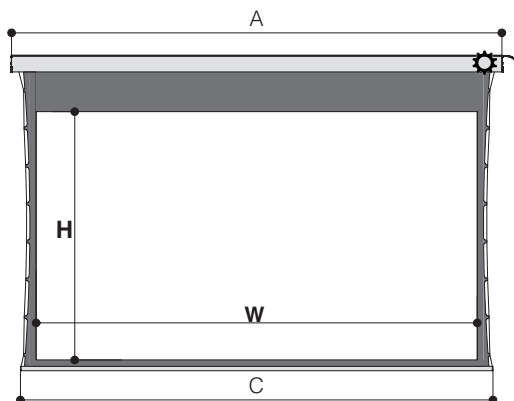


### WALL CEILING BRACKET



The **MAJOR TENSIONED** is also a motorized screen but it has a peculiar tensioning system on each side which assures the best possible surface flatness where the projection screen needs to be with the finest quality.

Available in 4:3, 16:9 and 16:10 ratios or bespoke sizes.



The measures in the drawings are expressed in millimetres.

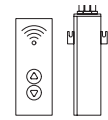


n.4 Wall/Ceiling brackets



n.1 On/off switcher

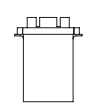
**INCLUDED**



Kit RF Remote control with external receiver



Interface switch 12 volt



Low voltage contact interface

**OPTIONAL** pag 62-63

### DIMENSIONS

measures in cm

4:3 Ratio Viewing area (WxH)	16:9 Ratio Viewing area (WxH)	16:10 Ratio Viewing area (WxH)	Overall dimensions A - C	Approx. net weight (Kg)
300 x 225	300 x 187	300 x 169	340 - 334	31
350 x 265	350 x 219	350 x 197	390 - 384	36
400 x 300	400 x 250	400 x 225	440 - 434	40

### PROJECTION CLOTHS

Front projection surfaces	Gain		Gain
Matte White	1.2	Cinesound*	0.7
Lumi Grey	0.8	Bright Contrast 3D 0.8*	0.8
Microperforated	1.1	Ultra HD*	1.2
Lumi Grey Microperforated	0.8		

\*Limited in height

**Warranty:** 5 years on the motor - 24 months on the other components

