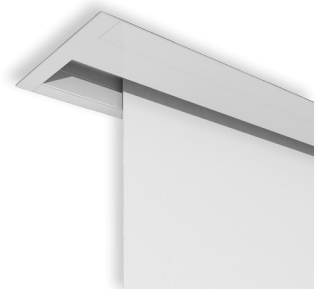


MAJOR PRO-C is a range of motorized screens suitable to cover dimensions from 500 cm. up to 700 cm. of width. These screens are mainly used in large environments like meeting rooms, universities, small theatres, hotels. Very reliable screens are supplied with a white aluminium cabinet suitable to fit different aesthetic situations.

Available in 4:3, 16:9 and 16:10 ratios or bespoke sizes.



Truss mounting brackets
(optional - for details see p. 64)



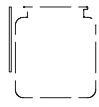
False ceiling trim kit
(optional - for details see p. 49)



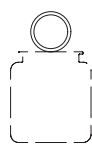
Ceiling mounting brackets



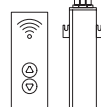
n.1 On/off switcher



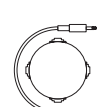
Wall mounting brackets



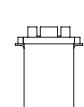
Truss mounting brackets



Kit RF Remote control with external receiver



Interface switch 12 volt



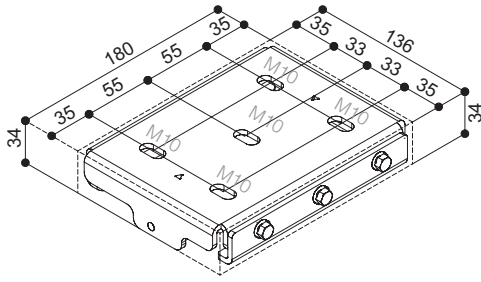
Low voltage contact interface

INCLUDED

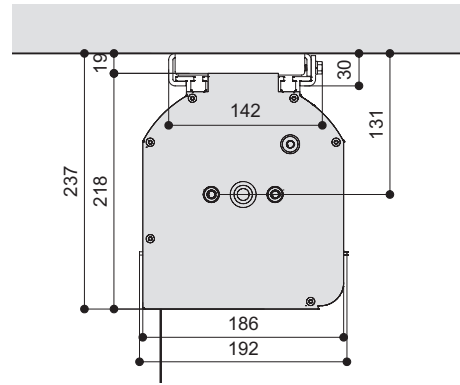
OPTIONAL pag 62-63



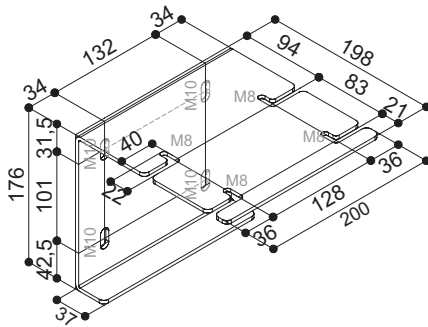
CEILING MOUNTING BRACKET



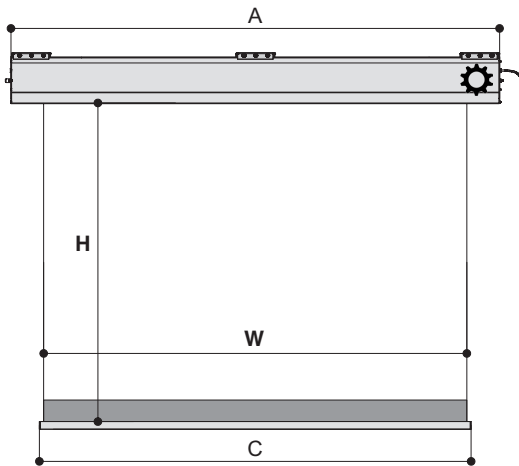
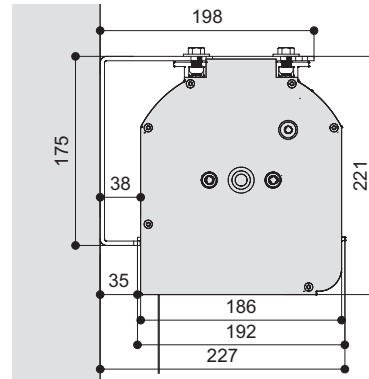
CEILING MOUNTING



WALL MOUNTING BRACKET (optional)



WALL MOUNTING



TECHNICAL SPECIFICATIONS

- Silent motor system provides a smooth and quiet operation

- Power: **40 Nm**
- Speed: **17 rpm**
- Power supply: **230V / 50 Hz**
- Consumption: **322 W**
- Certification: **IMQ**

AVERAGE TIME OF ROLLING UP/DOWN	
H (cm)	Sec.
375	30
450	36
525	42

- Strong steel and aluminium construction
- Aluminium housing with multiple fixing points, using sliding brackets for a variety of installation options
- Black dowel bar: height 35 mm. - depth 20 mm.
- Standard black bottom border of 10 cm.
- Housing painted with white epoxy powders (RAL 9010)
- Ceiling mounting brackets
 - n. 3 for Major Pro-C 500 cm. and 600 cm. of width
 - n. 4 for Major Pro-C 700 cm. of width
- On/Off switcher included
- Power cable located at **right** side of the screen housing seen from the front
- Flame retardant projection surfaces - classification M1, M2 and B1
- Side black borders of 5 cm. (optional)
- Wall mounting brackets (optional)
- Screen housing available in different colours (optional)
- * Available Major Pro-C version conform to DIN 56950 (optional)

DIMENSIONS measures in cm

4:3 Ratio Viewing area (WxH)	16:9 Ratio Viewing area (WxH)	16:10 Ratio Viewing area (WxH)	Overall dimensions A - C	Approx. net weight (Kg)
500 x 375	500 x 313	500 x 281	520 - 505	89
600 x 450	600 x 375	600 x 337	620 - 605	106
700 x 525	700 x 437	700 x 394	720 - 705	124

PROJECTION CLOTHS

Front projection surfaces	Gain	Rear projection surfaces **no black borders**	Gain
White	1.2	Rear Plus	1.1
Matte White	1.2	Front Rear	0.9
Microholes	1.0		

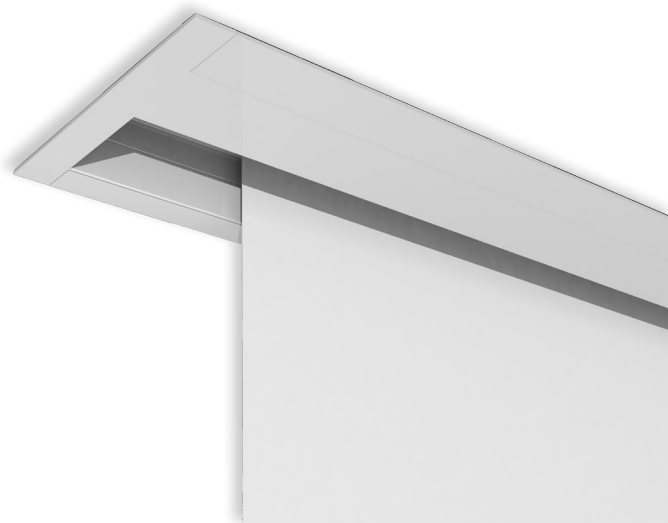
The measures in the drawings are expressed in millimetres.

Warranty: 5 years on the motor - 24 months on the other components

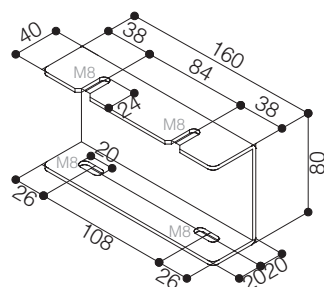
ENGINEERED LIKE NO OTHER SCREEN IN THE WORLD
www.screenint.com



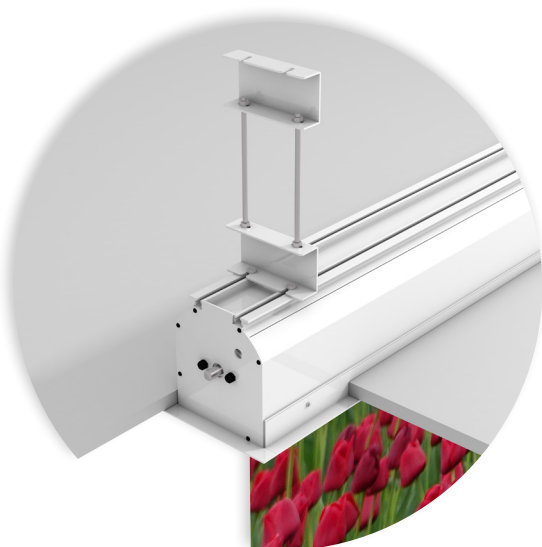
The **FALSE CEILING TRIM KIT** for **MAJOR PRO-C** screens is an accessory that enables to hide the large cabinet of a Major Pro-C inside a false ceiling.
This kit is made of aluminium entirely powder coated in white colour (RAL 9010).
IMPORTANT: The TRIM KIT has to be ordered together with the Major Pro-C (cannot be retrofitted).



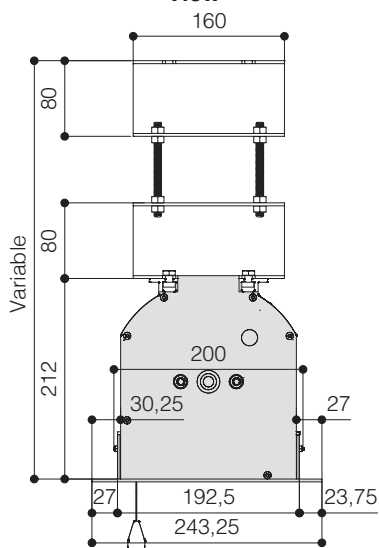
CEILING MOUNTING BRACKET



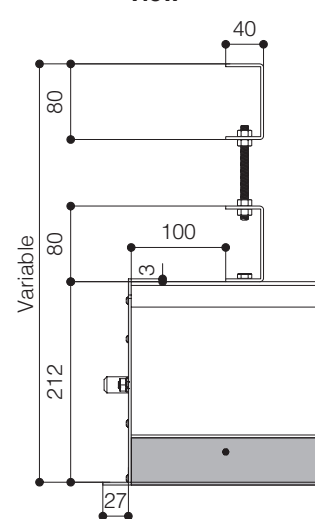
FALSE CEILING TRIM KIT FOR MAJOR PRO-C



Left Side View

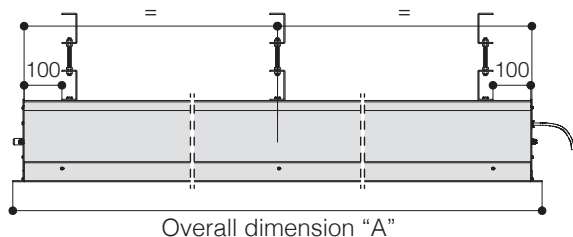


Left Front View

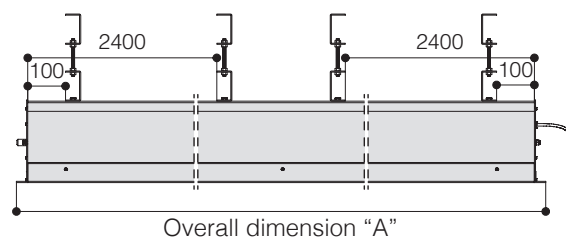


MOUNTING DISTANCES OF BRACKETS

Major Pro-C 500 - 600 cm. of width



Major Pro-C 700 cm. of width



Width of the hole to be made in the false ceiling: **22 cm.**

LENGHT OF HOLE IN FALSE CEILING	
Major Pro-C without borders	Width of viewing area + 22 cm
Major Pro-C with borders	Width of viewing area + 32 cm
Major Pro-C Tensioned	Width of viewing area + 72 cm

HOUSING OVERALL DIMENSIONS

MODEL	OVERALL DIMENSIONS "A"
Major Pro-C	500 cm.
Major Pro-C Tensioned	450 cm.
Major Pro-C	600 cm.
Major Pro-C Tensioned	550 cm.
Major Pro-C	700 cm.
Major Pro-C Tensioned	650 cm.

The measures in the drawings are expressed in millimetres.

Warranty: 24 months

