



**TIZIANO TENSIONED** has been developed with a stunning Italian design which makes it the ideal solution for high-end installations both for residential and professional environments.

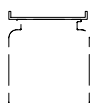
If you are looking for a **refined Italian design** and excellent reliability the Tiziano is the perfect solution. Extremely easy install, invisible mounting brackets and power cable are essential features of this exclusive product.

The aluminium housing has been designed with elegance in mind and is available in a wide range of different colours, enabling you to customise the finished screen to meet your customers' requirements.

The "Flagship" model of electrical projection screen is the Tiziano tensioned. The tensioning mechanism assures the screen an absolutely perfect flatness of the projection surface, avoiding possible edge curling and a distortion of the image.

Available in 4:3, 16:9 and 16:10 formats or bespoke sizes.

**Led lights for the housing**  
Available colours: white, blue, green, red  
(optional)



Ceiling mounting brackets

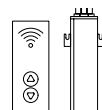


Wall mounting brackets



n.1 On/off switcher

**INCLUDED**



Kit RF Remote control with external receiver



Interface switch 12 volt



Low voltage contact interface

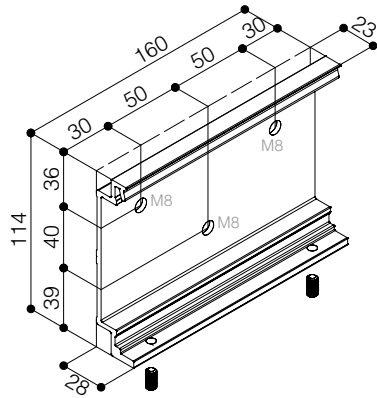


Faster and quiet motor

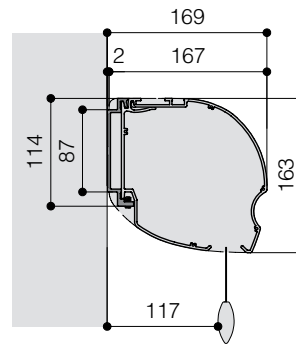
**OPTIONAL** pag 62-63



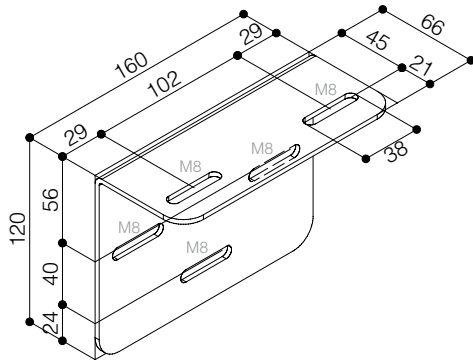
### WALL MOUNTING BRACKET



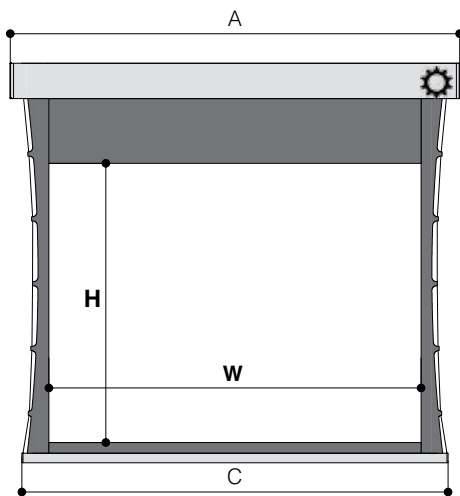
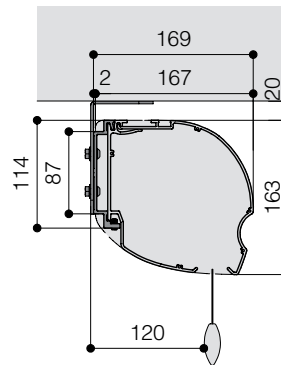
### WALL MOUNTING



### CEILING MOUNTING BRACKET



### CEILING MOUNTING



### TECHNICAL SPECIFICATIONS

- Silent motor system provides a smooth and quiet operation
  - Power: **10 Nm**
  - Speed: **17 rpm**
  - Power supply: **230V / 50 Hz**
  - Consumption: **156 W**
  - Certification: **IMQ**
- Totally manufactured with aluminium housing and steel side plates
- Housing dimensions: 167x163 mm. (DxH)
- Housing painted with white epoxy powders (RAL 9016)
- Wall mounting brackets and switcher on/off included
- Ceiling mounting brackets included
- Flame - retardant projection surfaces - classification M1, M2 and B1
- Side black borders of 5 cm. (in the narrowest point), black bottom border of 5 cm., black top drop of 30 cm. and black dowel bar: height 44 mm. - depth 17 mm.
- Hour-shape glass tensioning system to provide perfect flatness
- Cloth drops on the front side of the housing at 12,5 cm. from the wall
- Screen housing available in different colours (*optional*)

The measures in the drawings are expressed in millimetres.

### DIMENSIONS measures in cm

4:3 Ratio Viewing area (WxH)	16:9 Ratio Viewing area (WxH)	16:10 Ratio Viewing area (WxH)	Overall dimensions A - C	Approx. net weight (Kg)
160 x 120	160 x 100	160 x 90	200 - 193	20
180 x 135	180 x 112	180 x 101	220 - 213	23
200 x 150	200 x 125	200 x 112	240 - 233	24
220 x 165	220 x 137	220 x 124	260 - 253	27
250 x 190	250 x 156	250 x 140	290 - 283	31
300 x 225	300 x 187	300 x 169	340 - 333	38
350 x 265	350 x 219	350 x 197	390 - 383	44
400 x 300	400 x 250	400 x 225	440 - 433	50

### PROJECTION CLOTHS

Front projection surfaces	Gain	Rear projection surfaces <i>**no black borders**</i>	Gain
Matte White	1.2	Rear Plus	1.1
Lumi Grey	0.8	Front Rear	0.9
Microperforated	1.1		
Lumi Grey Microperforated	0.8		
Cinesound*	0.7		
Bright Contrast 3D 0.8*	0.8		
Ultra HD*	1.2		

\*Limited in height

**Warranty:** 5 years on the motor - 24 months on the other components

**ENGINEERED LIKE NO OTHER SCREEN IN THE WORLD**  
[www.screenint.com](http://www.screenint.com)

